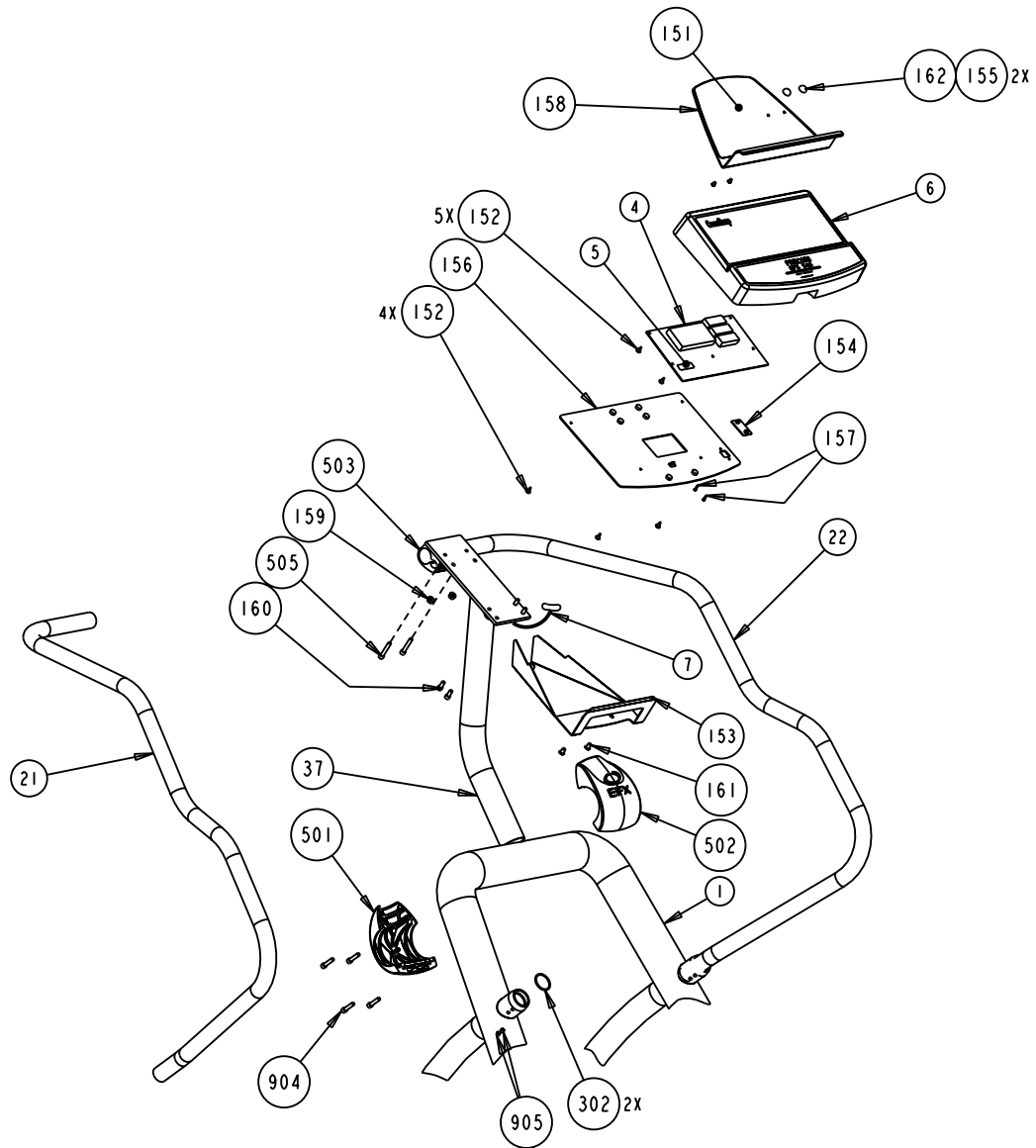
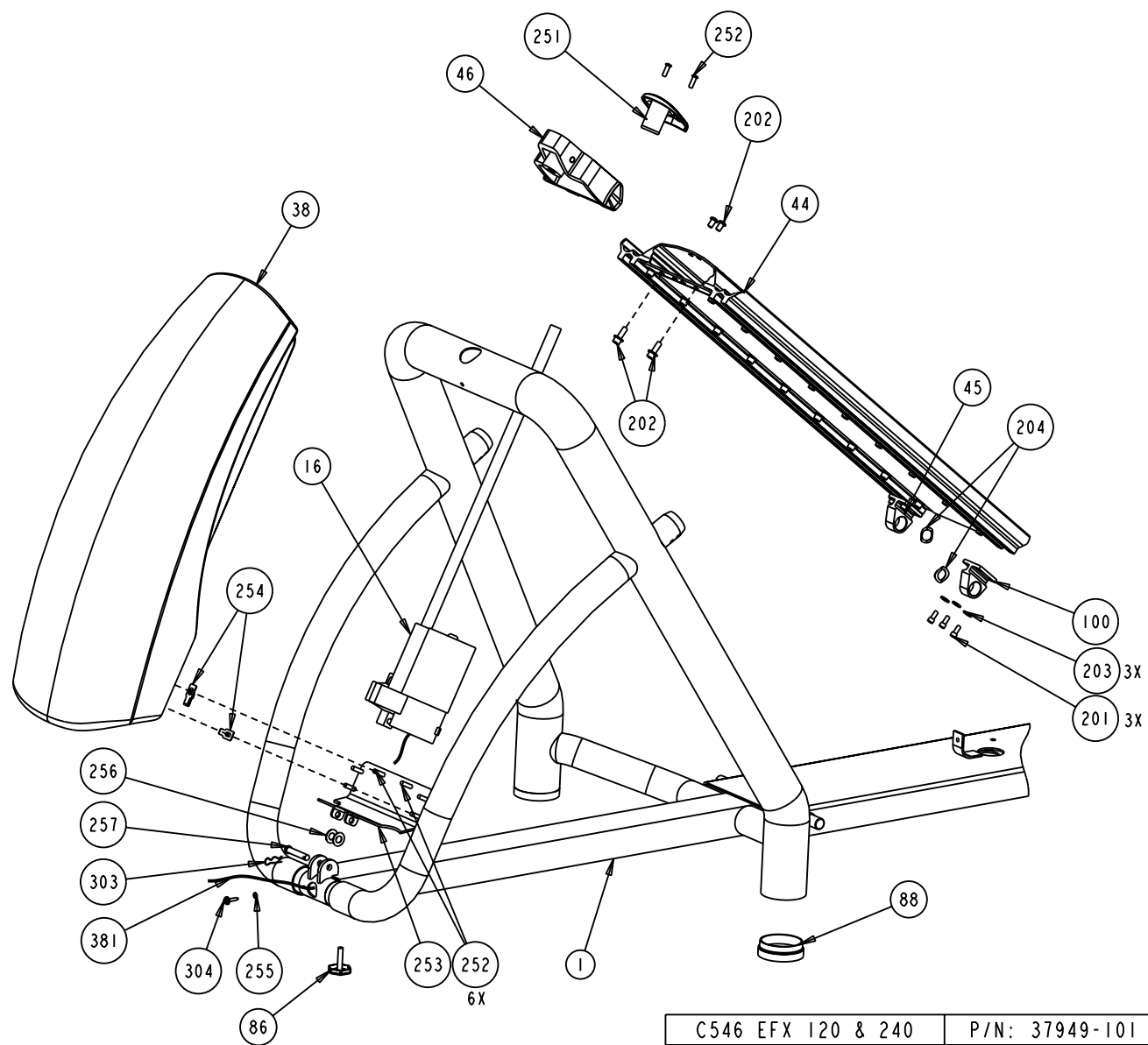


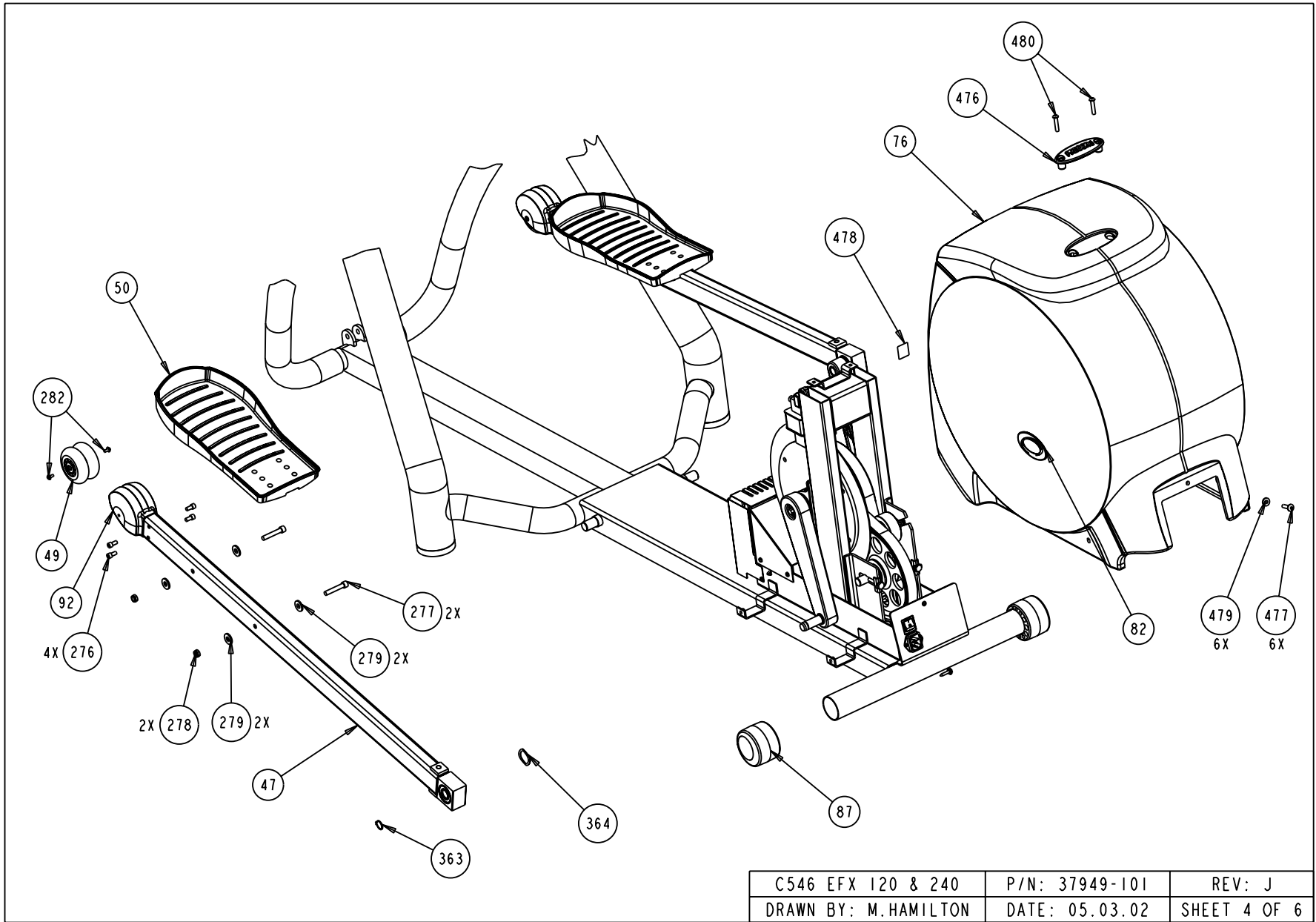
C546 EFX 120 & 240	P/N: 37949-101	REV: J
DRAWN BY: M.HAMILTON	DATE: 05.03.02	SHEET 1 OF 6

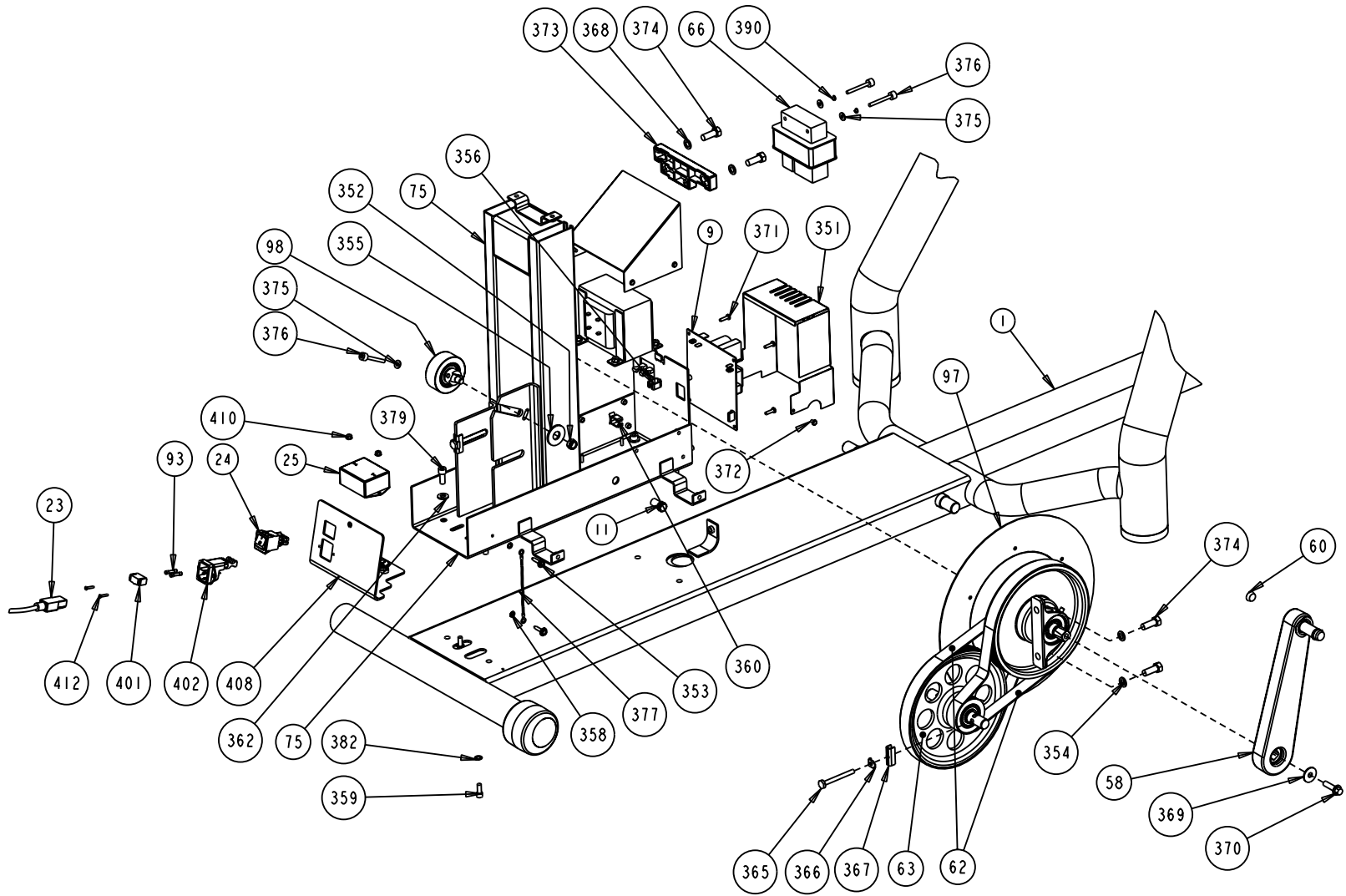


C546 EFX 120 & 240	P/N: 37949-101	REV: J
DRAWN BY: M.HAMILTON	DATE: 05.03.02	SHEET 2 OF 6



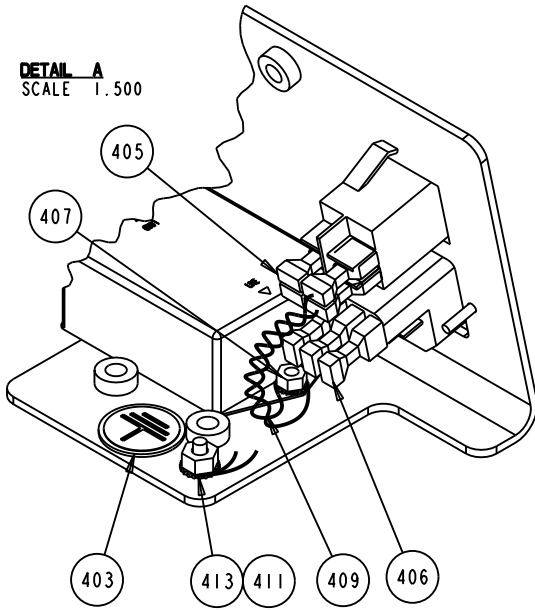
C546 EFX 120 & 240	P/N: 37949-101	REV: J
DRAWN BY: M.HAMILTON	DATE: 05.03.02	SHEET 3 OF 6



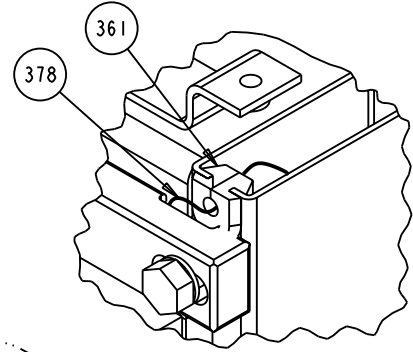
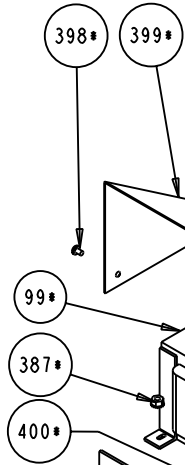


C546 EFX 120 & 240	P/N: 37949-101	REV: J
DRAWN BY: M.HAMILTON	DATE: 05.03.02	SHEET 5 OF 6

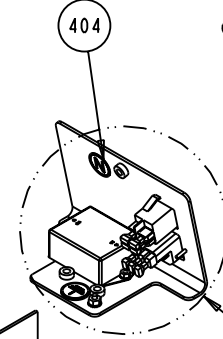
**DETAIL A**  
SCALE 1.500



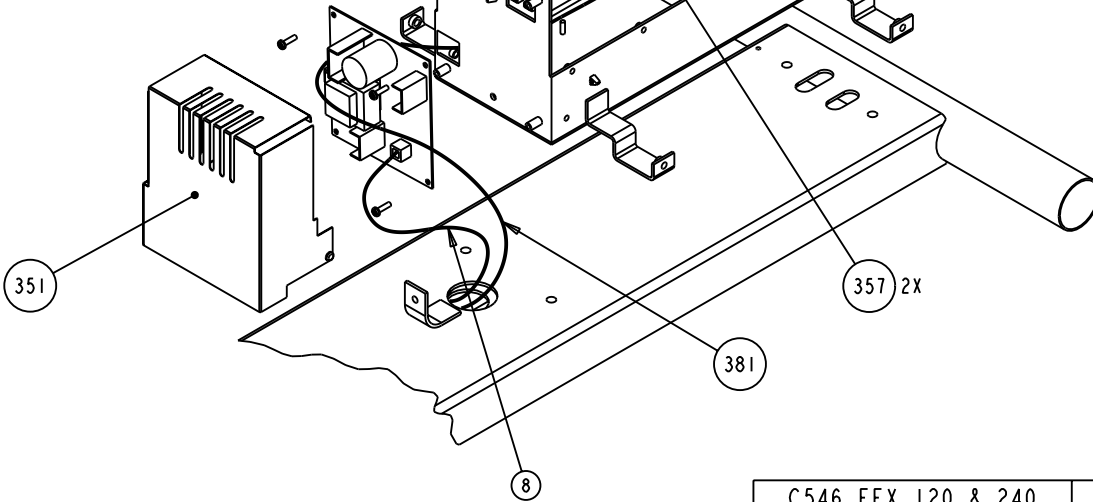
SEE DETAIL B



**DETAIL B**  
SCALE 1.500



SEE DETAIL A



• C546R AND 240 VOLT ONLY

C546 EFX 120 & 240	P/N: 37949-101	REV: J
DRAWN BY: M.HAMILTON	DATE: 05.03.02	SHEET 6 OF 6

Part Number	Description	Bubble Number
37965 - 203	WELDMNT, FRAME, PAINTED, 546	1
38676 - 105	PCA, DISPLAY, SFT, CSAFE	4
43071 - 104	ASSY, PCA&SW, C546,UPR	4A
38230 - 114	PROM, PROGRAMMED, C546 VER 1.14	5
38211 - 101	ASSY,DISPLAY ENCLOSURE,ENGLISH	6
38050 - 102	ASSY,CABLE,INTERCONNECT,UPPER	7
38952 - 103	PCA,EFX LOWER,PARALLEL	9
37301 - 103	ASSY, REMOTE SENSOR	11
45125 - 101	ASSY, LIFT ACTUATOR, 546	16
38232 - 103	ASSY,HANDLEBAR,LEFT,C546	21
38232 - 104	ASSY,HANDLEBAR,RIGHT,C546	22
10392 - 212	CORD,PWR,125VAC,10A,10.0FT,IEC RT	23
10714-101	SWITCH,ROCKER,DPST,PANEL MT	24
39491-103	ASSY,FILTER,POWER LINE,5A,5.21SI	25
38142 - 201	WELDMNT,UPRIGHT,H/B,PT	37
37802 - 103	COVER, LIFT MOTOR	38
41776 - 101	RAMP, C546	44
38928 - 103	ASSY,PIVOT BLOCK/ BEARING,RH,	45
38265 - 102	ASSY,FRONT CAP,C546	46
50570 - 101	ASSY, STAIRARM/ RAIL PIVOT,C546	47
50578 - 101	ASSY, STAIRARM WHEEL AND AXLE	49
37314 - 107	PEDAL, FOOT	50
37831 - 101	ASSY,POWER ENTRY MODULE120V	52
38142 - 201	WELDMNT,UPRIGHT,H/B,PT	53
CCNN025 - 131	SCREW,SKHD,1/4-20X1-5/16,SS,LK	54
43457 - 101	CRANK ARM, W/POWDER METAL, INSERT	58
38803 - 301	CLAMP,H/B,FRONT,GROUND	59
11286 - 101	MAGNET, NEODYMIUM 30, DIA=.50	60
CAKE025 - 100	SCREW,SKHD, 1/4-20X1,BLK ZN,LK	61
10217 - 119	BELT,POLY-V,32 , 320J10	62
50538 - 102	ASSY, STEP UP PULLEY, C546	63
39314 - 101	ELECTROMAGNET,EC BRAKE,	66
37936 - 109	ASSY, DRIVE WELDMNT, 546	75
50559 - 103	ASSY,REAR COVER,C546,TEXTURED	76
38265 - 102	ASSY,FRONT CAP,C546	77
38215-103	LABEL,EFX LOGO,REAR COVER,DURO-LENZ	82
11406 - 101	FOOT, LEVELER	86
37534 - 102	FOOT, ADJUSTABLE	87
38305 - 102	FOOT,FRAME,MOLDED	88
43702 - 502	WHEEL, COVER, 556, PT, OOH	92
10719 - 121	FUSE,SLOW,4A,250V,5X20MM	93
10427 - 111	FUSE,SLOW,.25A,250V,1/4"DIA	94
10427 - 140	FUSE,SLOW,2A,250V,1/4"DIA	95
50569 - 102	KIT, 546 DRIVE INPUT	97
43928 - 101	ASSY, IDLER PULLEY	98
38928 - 102	ASSY,PIVOT BLOCK/ BEARING,LH,	100
38214 - 101	LABEL,BOOKRACK,COURSE,ENGLISH	151
PGKN016 - 050	SCREW,S/T,#8X1/2,TRS,PHIL,BLK	152
38930 - 201	COVER, WIRE, DISPLAY, PT	153

38844 - 501	COVER,CUT-OUT,C-SAFE,GREY,PT,OOH	154
TAKN016 - 025	SCREW,BTHD,8-32X1/4,BLK ZN	155
38912 - 203	PLATE,BACKING,UPPER DISPLAY,PT	156
MGKN016 - 038	SCREW,MCH,8-32X3/8,PANHD,PHIL,	157
38913 - 202	BOOK RACK,PT,546	158
KKNN025 - 022	LOCKNUT,STARWHR,1/4-20	159
CCNN025 - 050	SCREW,SKHD,1/4-20 X0.50,SS,LK	160
TCNN025 - 038	SCREW,BTHD,1/4-20,.3/8,SS	161
38947 - 101	BUMPER,MOLDED RUBBER W/INSERT	162
37499 - 102	CLAMP, HANDLEBAR,BLACK, PT	164
11278 - 101	CABLE CLAMP,INSERT	177
CCNN025 - 063	SCREW,SKHD,1/4-20X5/8,SS,LK	201
TCNN031 - 050	SCREW,BTHD,5/16-18, 1/2,SS	202
WPNN028 - 006	WASHER,ID=.276,OD=.5,THK=.060	203
WAGSN072 - 001	WASHER, WAVE .1.05 O.D., .755	204
WAGSN072 - 001	WASHER, WAVE .1.05 O.D., .755	250
38220 - 102	ASSY,BADGE FRONT	251
TFKN025 - 075	SCREW,BTHD,1/4-20X3/4,BLK ZN	252
38047 - 501	BRACKET,MOTOR COVER,FRONT,PT	253
10136 - 104	CLIP,U TYPE, TINNEMAN, 1/4-20	254
KAKN038 - 027	LOCKNUT,HALF,3/8-16,BLK ZN	255
WBFNN047 - 002	WASHER,MYLAR,7/16	256
CAKN038 - 200	SCREW,SKHD,3/8-16X2,BLK ZN,LK	257
50583 - 101	CS KIT, FOOT PEDAL PLUG, EFX, 12 PC	270
CCNN025 - 050	SCREW,SKHD,1/4-20 X0.50,SS,LK	276
CCNN031 - 200	SCREW,SKHD,5/16-18X2,SS,LK	277
KADN031 - 016	LOCKNUT,HALF,5/16-18,CAD PLT	278
WPNN038 - 008	WASHER,FLT,5/16X.875X.104,SS	279
DFNT016 - 038	SCREW, SEMS, 8-32 X .375, HEX, SS	282
10115 - 112	O-RING, ROUND, 1.25ID X .094	302
PJCN019 - 075	SCREW,S/T,#10X3/4,WSHRHXHD,	303
WATNN020 - 002	WASHER, LK-INT, #10, ID=.200,	304
40748 - 101	SHIELD, PCA, LOWER	351
KACN038 - 015	LOCKNUT,HALF,3/8-16,ZN	352
PKCN019 - 050	SCREW,S/T,#10X1/2,WSHHXHD,ZN	353
WRCN038 - 011	WASHER,GRADE 8,3/8,13/32 ID,13/16OD	354
WTCN038 - 008	WASHER,GRADE 8,3/8,.438-ID,	355
11278 - 101	CABLE CLAMP,INSERT	356
11276 - 101	BUSHING,SNAP,SPLIT,ID=51/64,	357
WATNN020 - 002	WASHER, LK-INT, #10, ID=.200,	358
CAKN025 - 063	SCREW,SKHD,1/4-20X5/8,BLK ZN,LK	359
11419 - 101	CABLE CLIP, ON MOUNT,METAL	360
11284 - 101	GROM, HORSE SHOE, 3/4W X 3/4L	361
WCCN031 - 008	WASHER, FLT, 5/16X.875X.083	362
WAGNN062 - 001	WASHER, WAVE, .87 OD X .62 ID	364
HACN025 - 250	SCREW,1/4-20X2-1/2,HEX,GR 2,ZN	365
37855 - 102	TAB, LOCKING	366
37385 - 101	BRACKET, TENSIONER	367
WMSN039 - 006	WASHER, AN 960C616, ID=.390,	368
WNNN032 - 009	WASHER,FLT, .321X1.00X.090 THK	369
HTKT008 - 018	BOLT,SHIMANO CRANK,M8X18MM, NYLK	370



MGCN016 - 063	SCREW,MCH,8-32X5/8,PANHD,PHIL,	371
MGCN016 - 025	SCREW,MCH,8-32X1/4,PANHD,PHIL,	372
37947 - 101	BRACKET, MAGNET, 546	373
HECN038 - 100	SCREW,3/8-16 X1,HEX CAP,	374
WACN019 - 005	WASHER, FLT, #10X.500X.049,ZN	375
CBKN019 - 175	SCREW,SKHD,10-32X1.75,BLK ZN,LK	376
37175 - 101	ASSY, GROUND STRAP,5"	377
38237 - 102	ASSY,CBL,PCA/MAGNET	378
CAKN031 - 075	SCREW,SKHD,5/16-18X0.75,BLK ZN,LK	379
WALCN019 - 005	WASHER, #10 SPLIT LOCK, ZINC	380
45109 - 068	ASSY,CBL,LPCA TO LIFT,68"	381
WATNN025 - 003	WASHER, LK-INT, ID=.25,	382
10176-102	FUSE, DRAWER, 2 POLE, 5X20 MM	401
11279-102	PWR ENTRY MOD,250VAC,10A,2POLE	402
33984-101	LABEL, SAFETY, GROUND SYMBOL	403
37436-101	LABEL, CHASIS NEUTRAL	404
37519-102	ASSY,CBL,PWR ENTRY TO	405
38826-202	BRACKET, PLUG,PT,C546	408
43601-101	ASSY,WIRE,GND	409
KGCN016-013	LOCKNUT, STARWASHER 8-32, HEX	410
KHCN019-013	LOCKNUT, STARWASHER, 10-32,	411
MMCN003-008	SCR,M3X8MM,PHIL,ZN	412
WATNN020-002	WASHER, LK-INT, #10, ID=.200,	413
43549-301	BADGE,REAR, SANDED,C546	476
TFKN025 - 075	SCREW,BTHD,1/4-20X3/4,BLK ZN	477
37235-101	LABEL, CAUTION: MOVING PARTS	478
WNKN026 - 006	WASHER,FLT,1/4X.625X.063,BLK ZN	479
TAKN025 - 125	SCREW,BTHD,1/4-20X1-1/4,BLK ZN	480
38221 - 501	CLAMP,H/B,REAR,GROUND	501
38803 - 501	CLAMP,H/B,FRONT,GROUND	502
37499 - 102	CLAMP, HANDLEBAR,BLACK, PT	503
CCNN025 - 131	SCREW,SKHD,1/4-20X1-5/16,SS,LK	505
50574 - 101	KIT, LOWER HADLEBAR CLAMPS	900
41012 - 101	KIT,HARDWARE,C546	901
10186 - 101	WRENCH, ALLEN, 5/32	902
10186 - 103	WRENCH, ALLEN, 3/16	903
CAKE025 - 100	SCREW,SKHD,1/4-20X1,BLK ZN,LK	904
ENNN025 - 025	SCREW,SET,1/4-20X1/4,KNRLDCUP	905
10186 - 106	WRENCH, ALLEN, 1/8	906
38238 - 102	KIT,LITERATURE, C546	999